

395

395 EPA

Spare parts

Replaces

Ersatzteile

Ersetzt

Pièces détachées

Remplace

Reserve onderdelen

Vervangt

Repuestos

Reemplaza

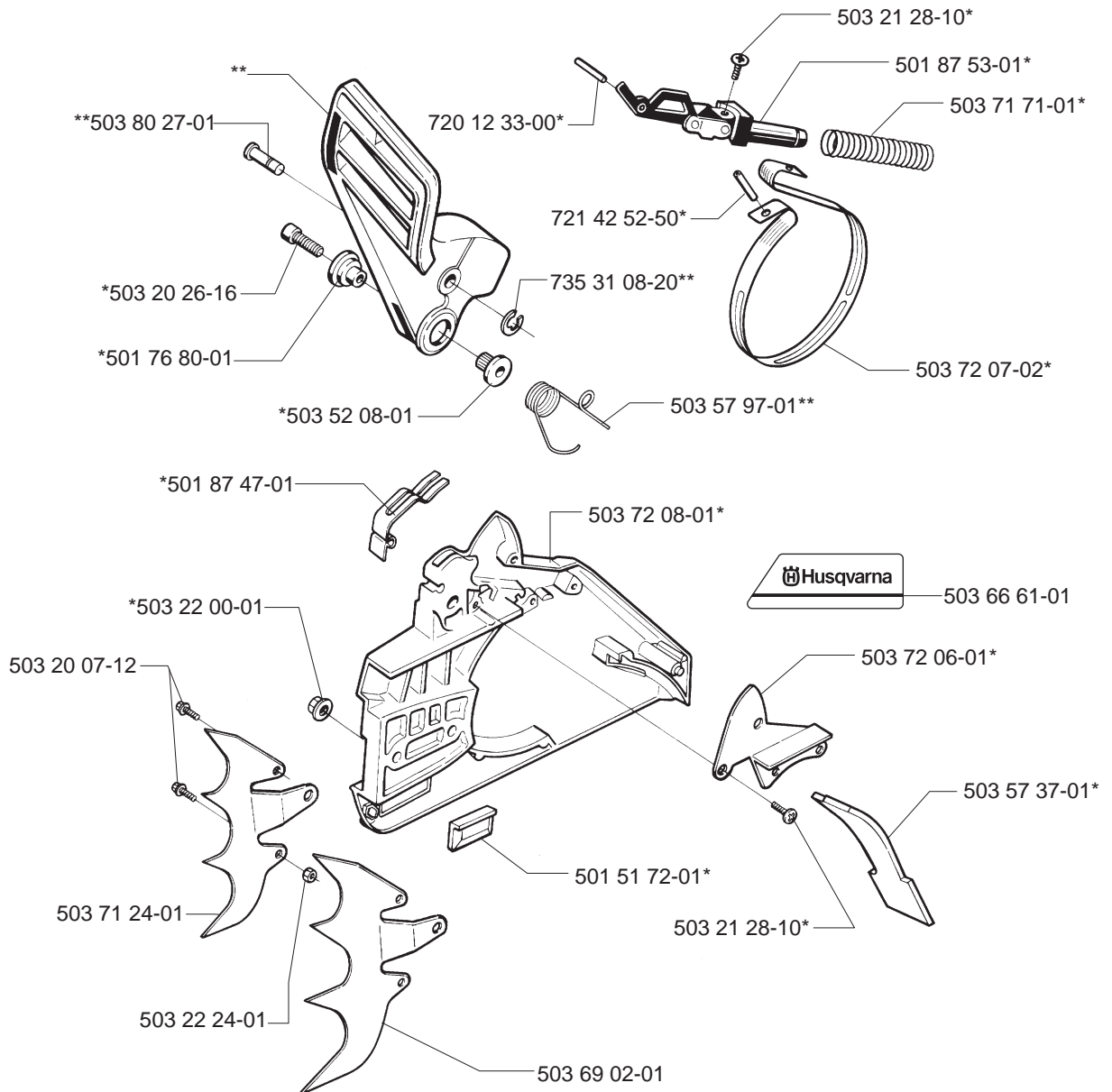
Reservdelar

Ersätter

106 26 39-62

A

*compl 503 73 15-06
 **compl 503 76 08-01



B

*compl 503 46 37-02

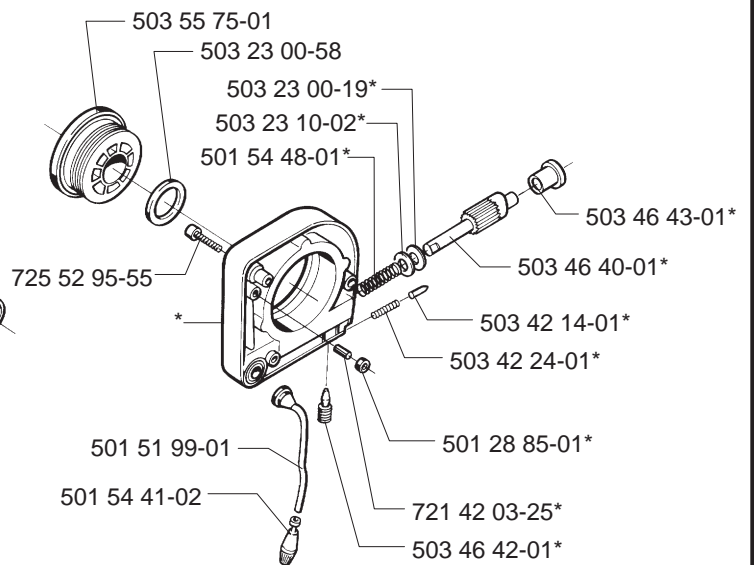
compl 503 70 15-02

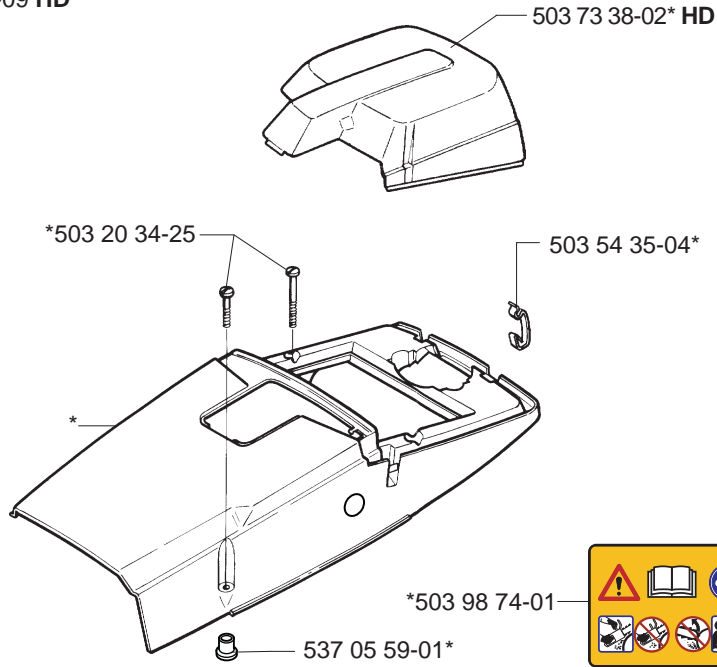
503 14 51-01

501 59 80-02 (3/8"x7)
 501 59 79-02 (.404x7)
 503 25 30-01

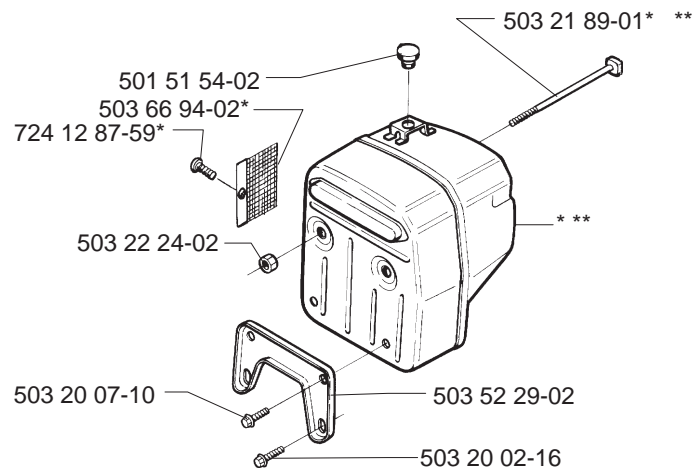
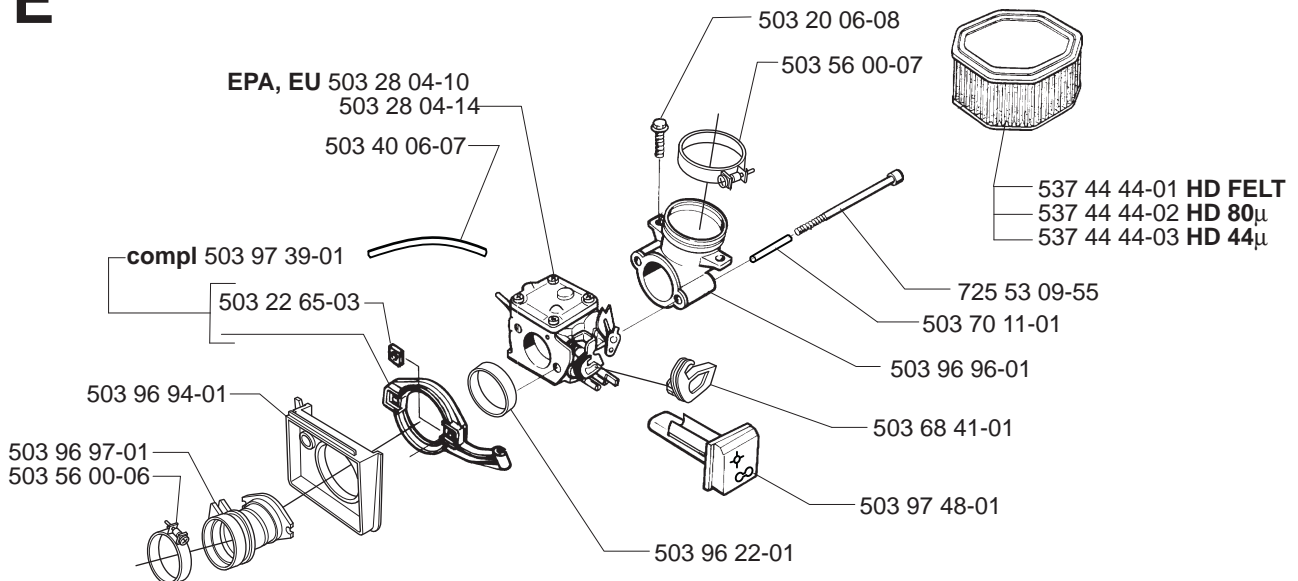
compl 503 62 59-03 (3/8"x7)

compl 503 62 59-04 (.404x7)

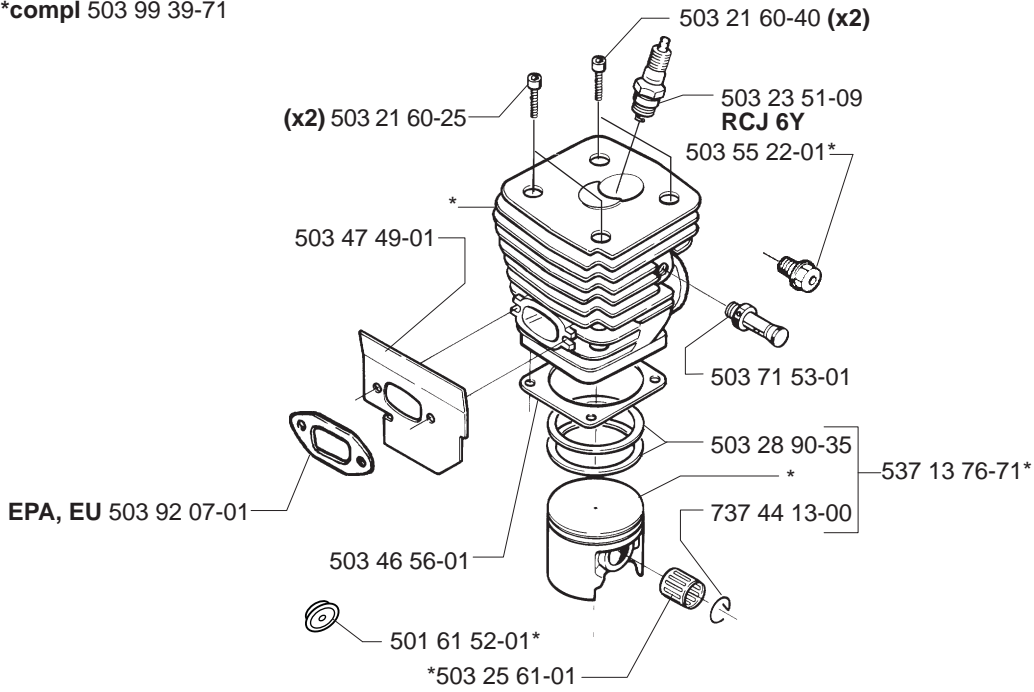


C***compl 503 52 64-09 HD****D**

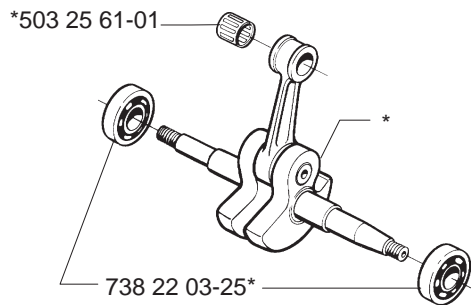
***compl 503 71 13-07 (FF)**
****compl 503 71 13-04 (Europe)**
****compl 503 71 13-05 (DJ)**

**E**

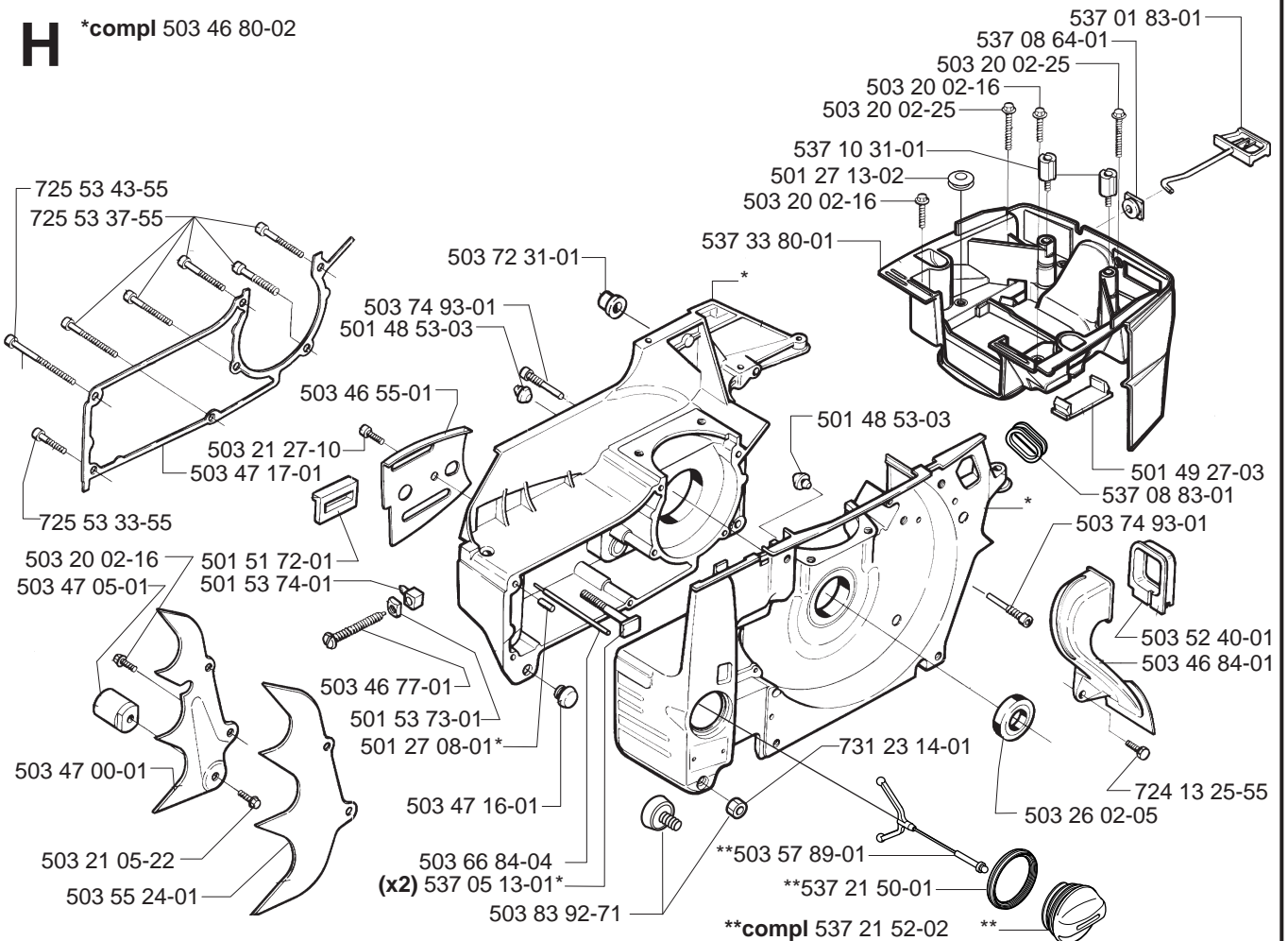
F *compl 503 99 39-71

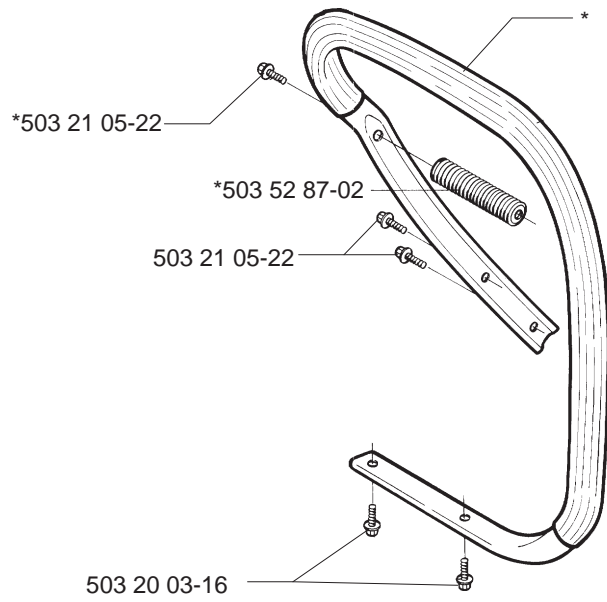
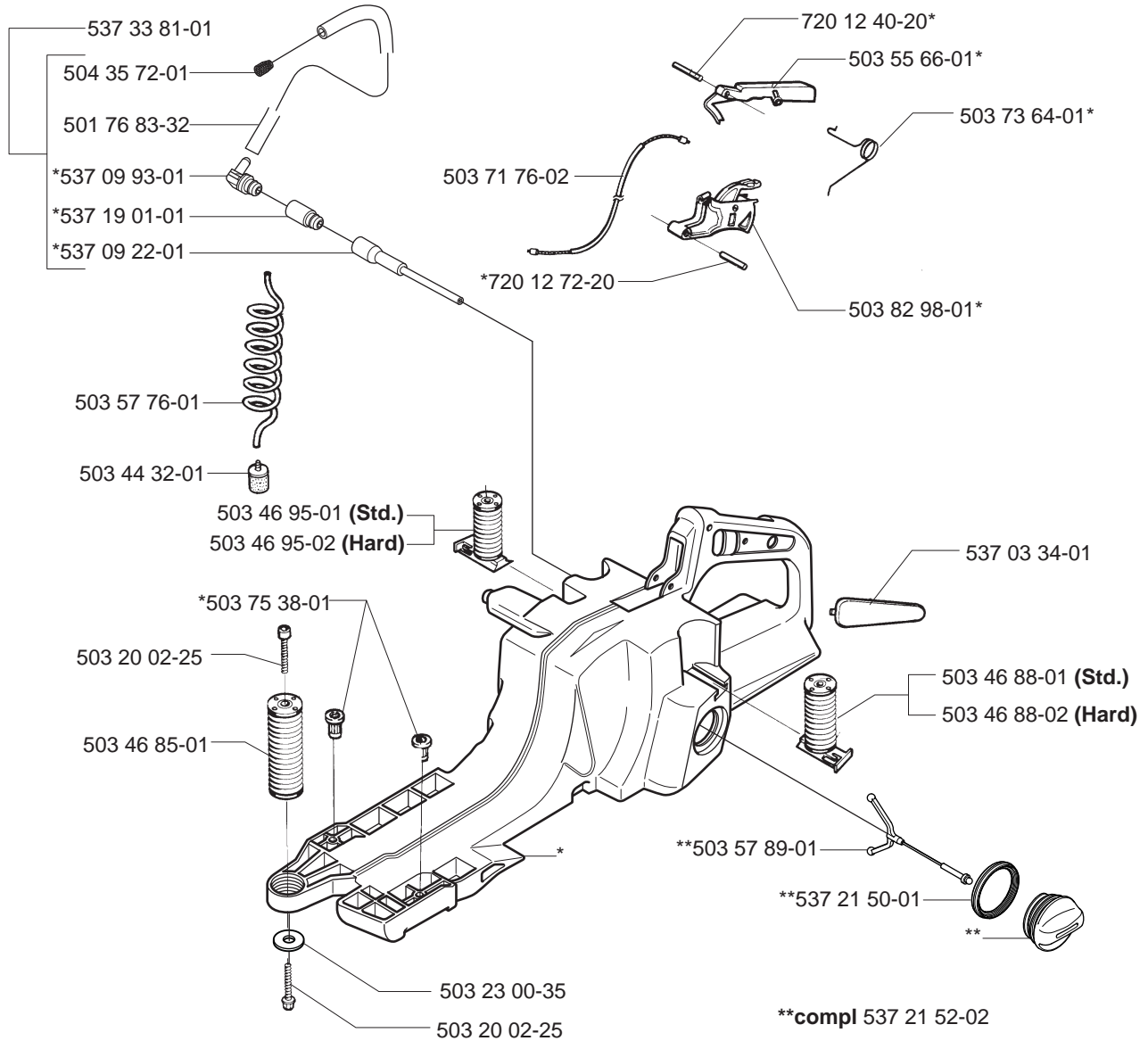


G *compl 537 09 05-71

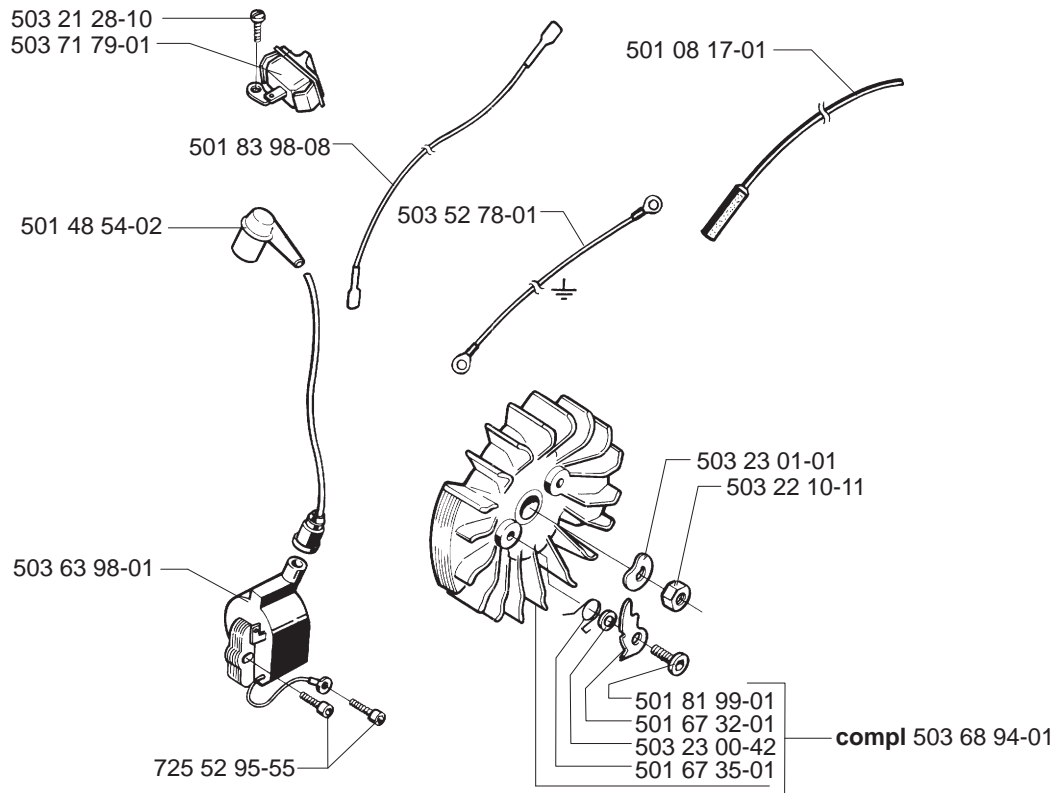


H *compl 503 46 80-02



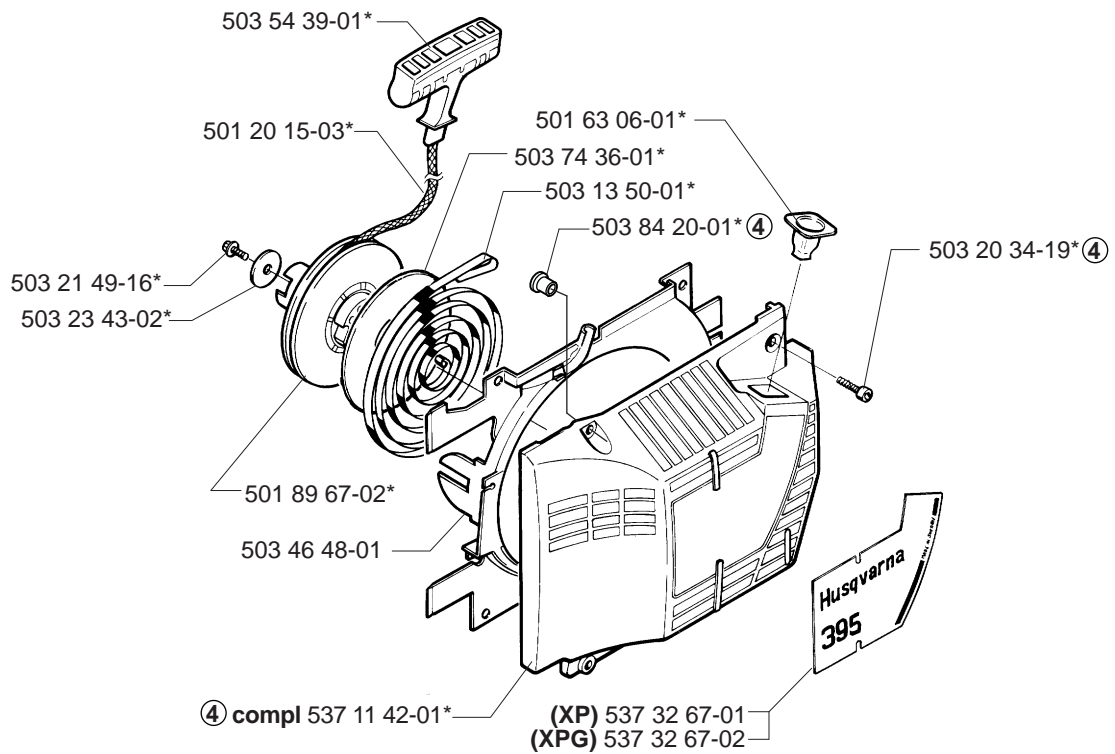
J***compl 503 46 35-71****K*****compl 503 47 34-02**

L

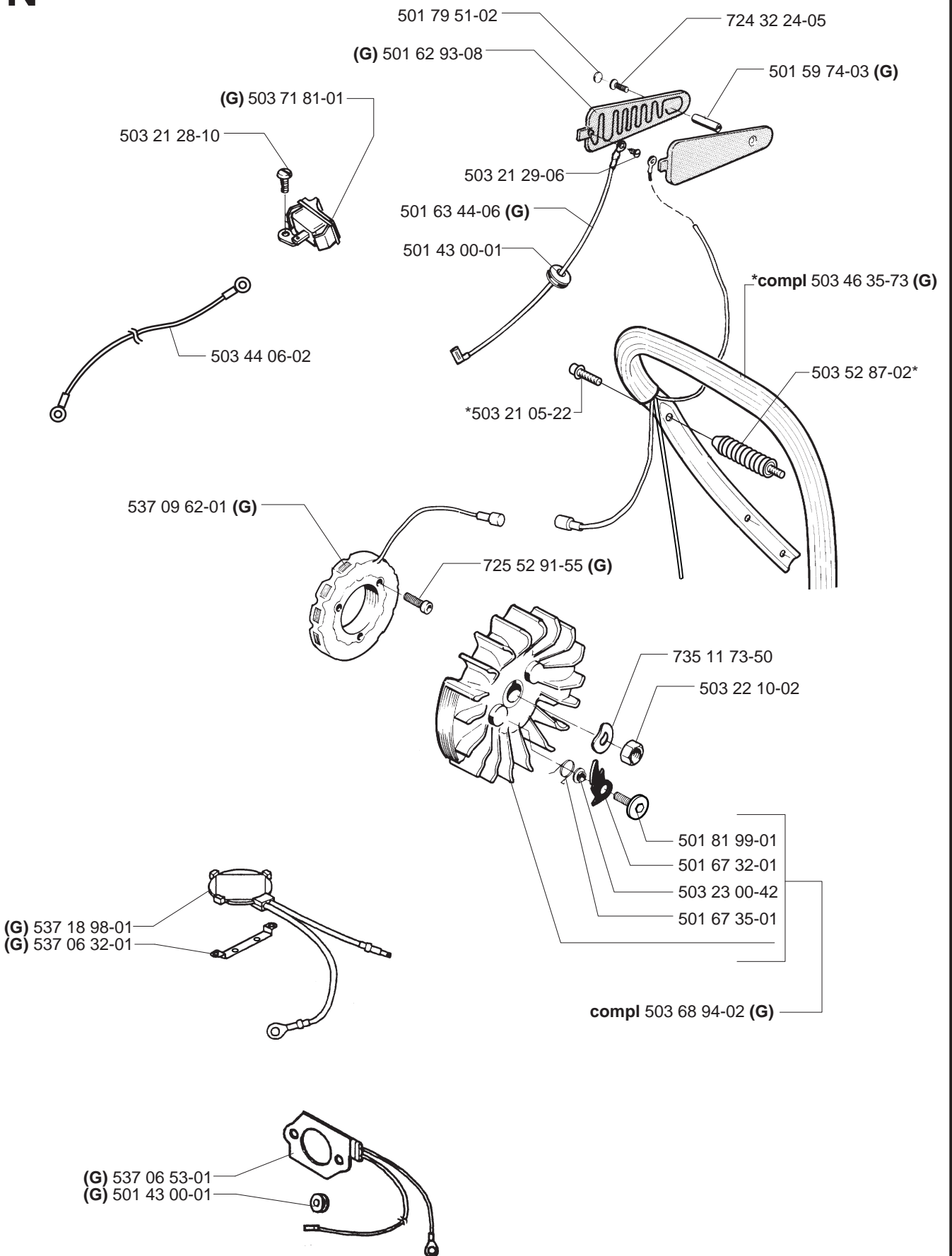


M

*compl 503 46 24-02

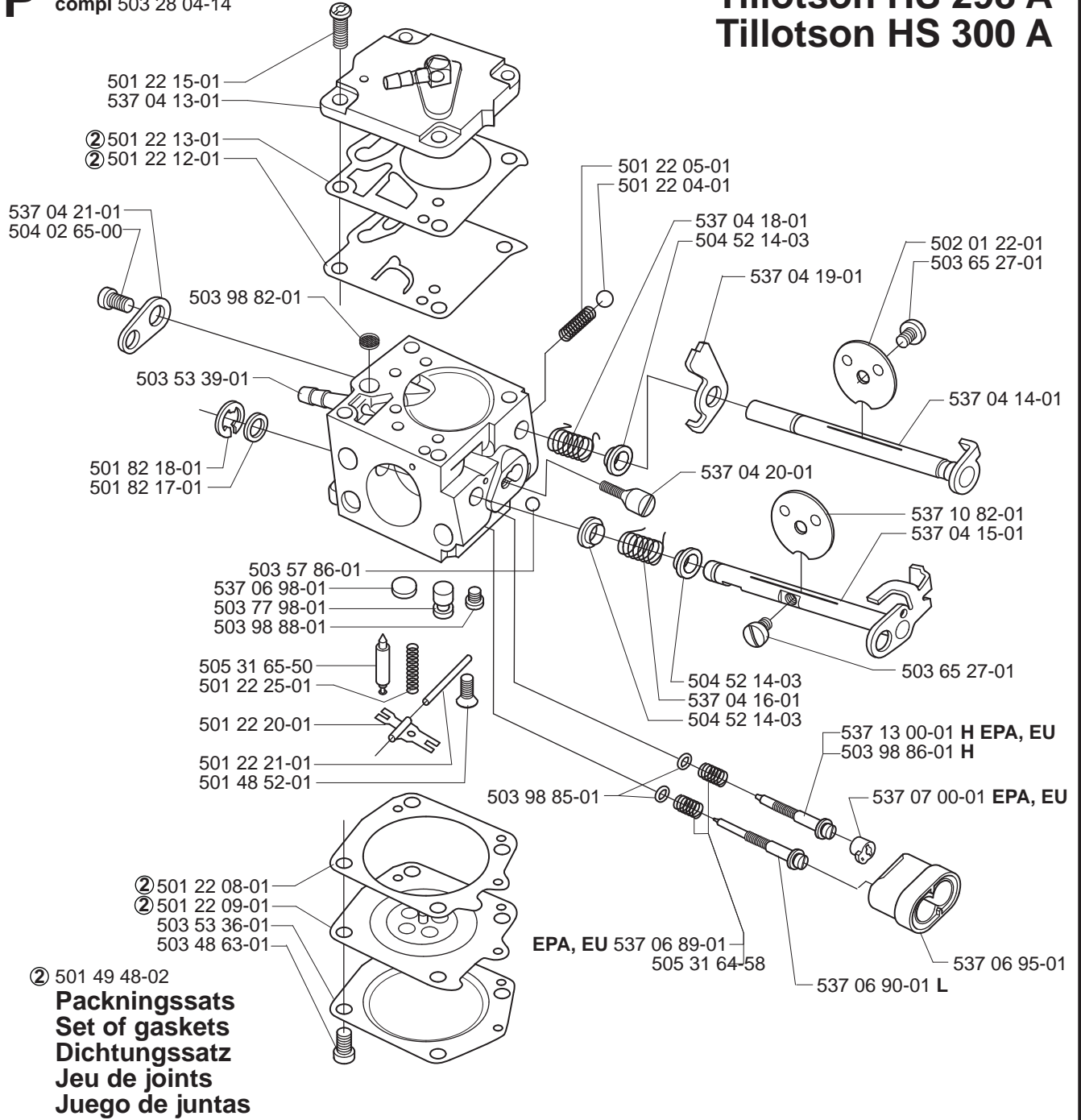


N

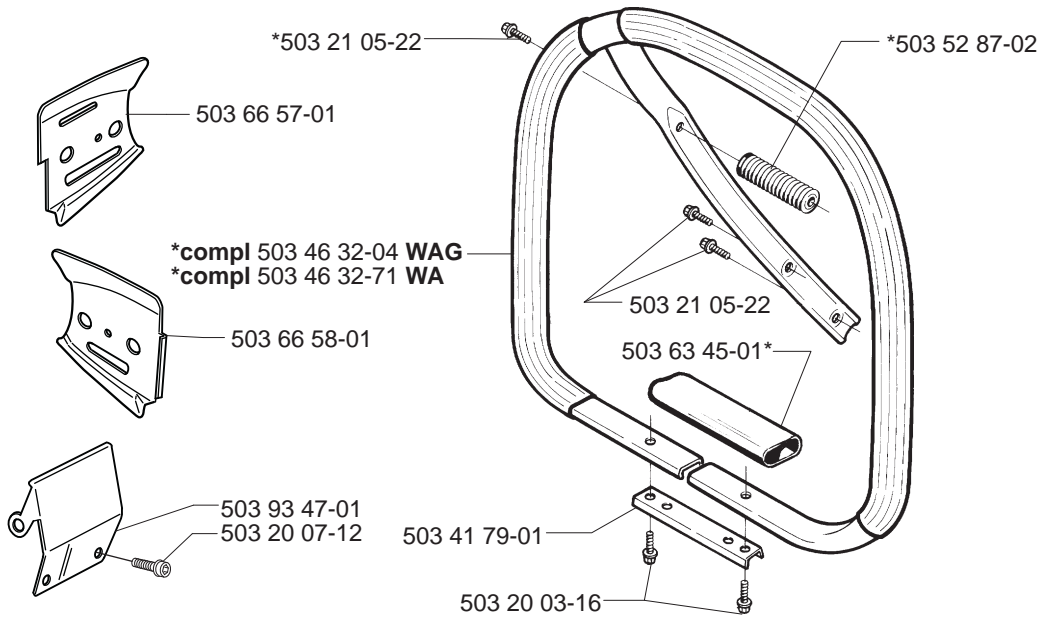


P compl 503 28 04-10 EPA, EU
 compl 503 28 04-14

Tillotson HS 298 A Tillotson HS 300 A



Q



R Tillbehör
Accessories
Zubehöre
Accessoires
Accesorios
*compl 503 55 85-02

